

Instruction Leaflets

IMPORTANT! PLEASE READ THE BELOW FOR PROCEEDING!

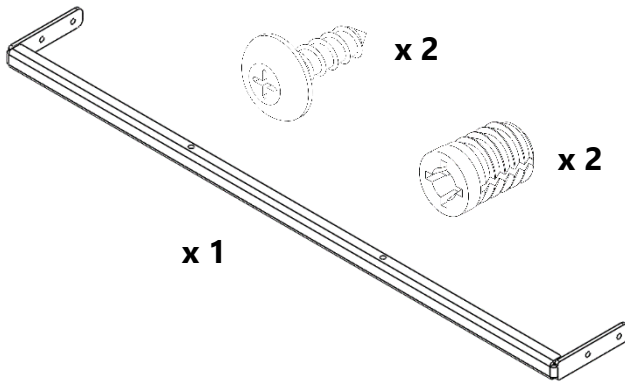
Thank you for choosing our kitchen. It is important that you carefully read all of the instructions before starting installation. Please see below QR code that will take you to the website, alternatively, the website address can be found below that will list all of our available instruction leaflets.



Instruction Website - <https://www.magnettrade.co.uk/instructions-guides>

Should you have any further questions please contact your local store which you can find using this link - <https://www.magnet.co.uk/find-a-showroom/>

Metal Rail Installation



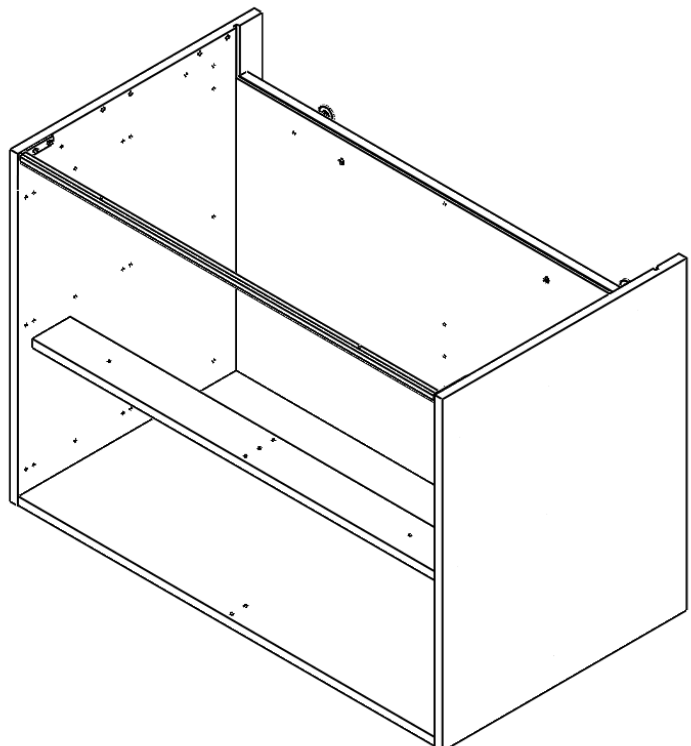
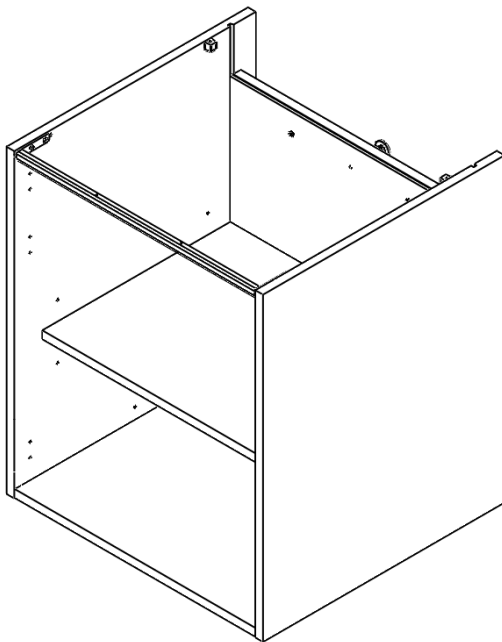
Supplied:

- 1 x Metal Rail
- 2 x 8mm Grommets
- 2 x Screws

Codes:

- 600W = 10460810
- 800W = 10460701
- 1000W = 10460309

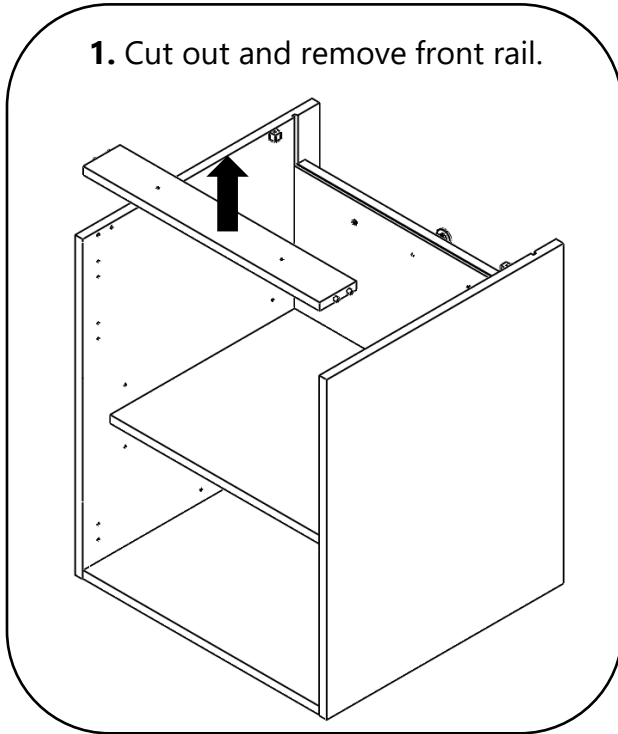
Unit images below are for reference only, your unit may vary.



Installation on Single Units 600W:

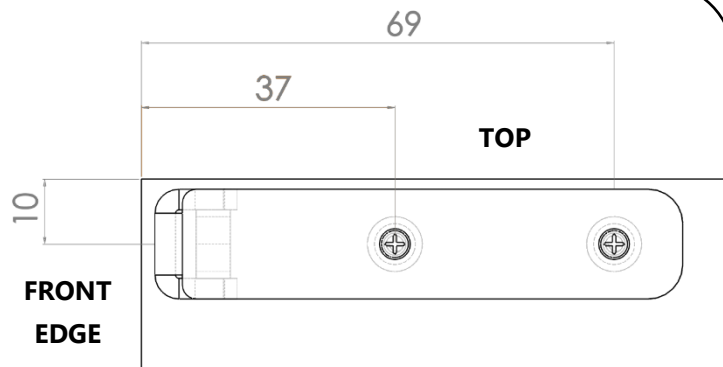
It is recommended that the unit is fit in situ before fitting the metal rail.

1. Cut out and remove front rail.



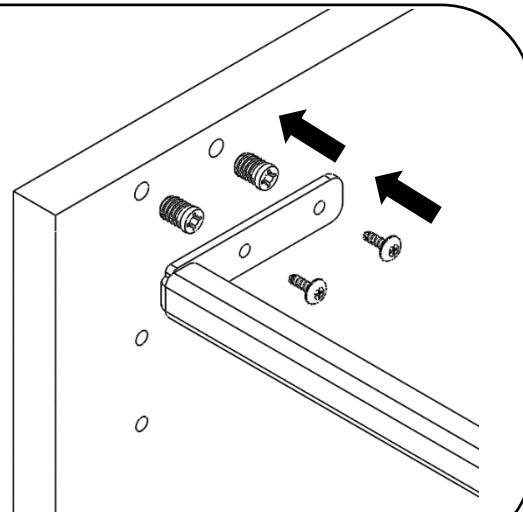
2. Option 1

Secure metal rail WITHOUT grommets, screw fix to below dimensions. It is recommended to use $\text{\O}4 \times 16\text{mm}$ RHD screws (not supplied).



2. Option 2

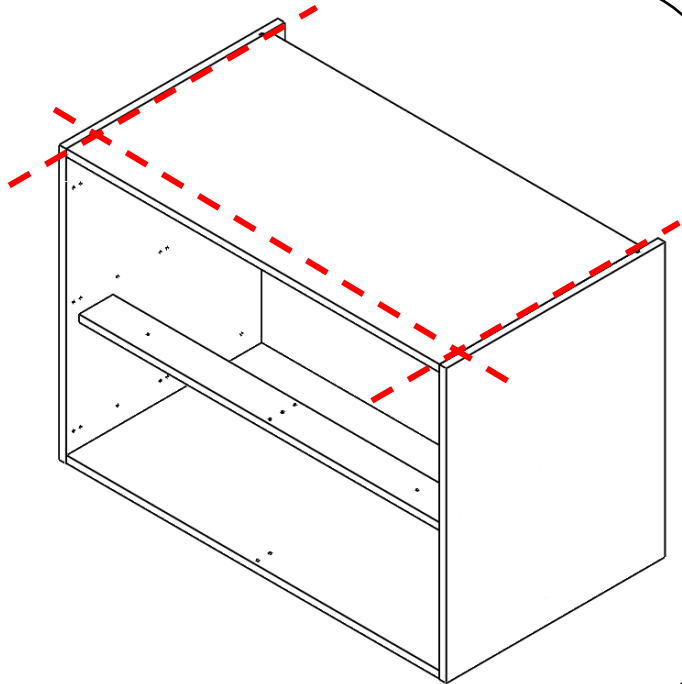
Secure metal rail WITH grommets, fix to above dimensions. Pre drill $\text{\O}8\text{mm}$ holes for the grommets and knock in with a mallet, fix in with screws provided in the pack.



Installation on Double Units 800W & 1000W:

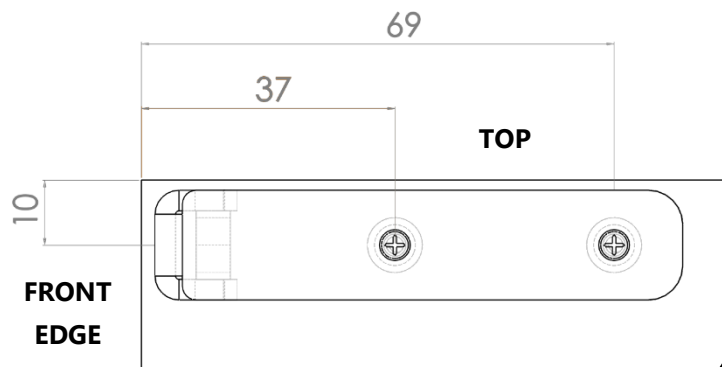
It is recommended that the unit is fit in situ before fitting the metal rail.

1. Cut out and remove chipboard top panel. Please note, cutting pattern may vary depending on sink or appliance you are installing. It is recommended to cut a minimum of 85mm off the front edge to allow for the metal rail fixing.



2. Option 1

Secure metal rail WITHOUT grommets, screw fix to below dimensions. It is recommended to use $\text{Ø}4 \times 16\text{mm}$ RHD screws (not supplied).



2. Option 2

Secure metal rail WITH grommets, fix to above dimensions. Pre drill **$\text{Ø}8\text{mm}$** holes for the grommets and knock in with a mallet, fix in with screws provided in the pack.

